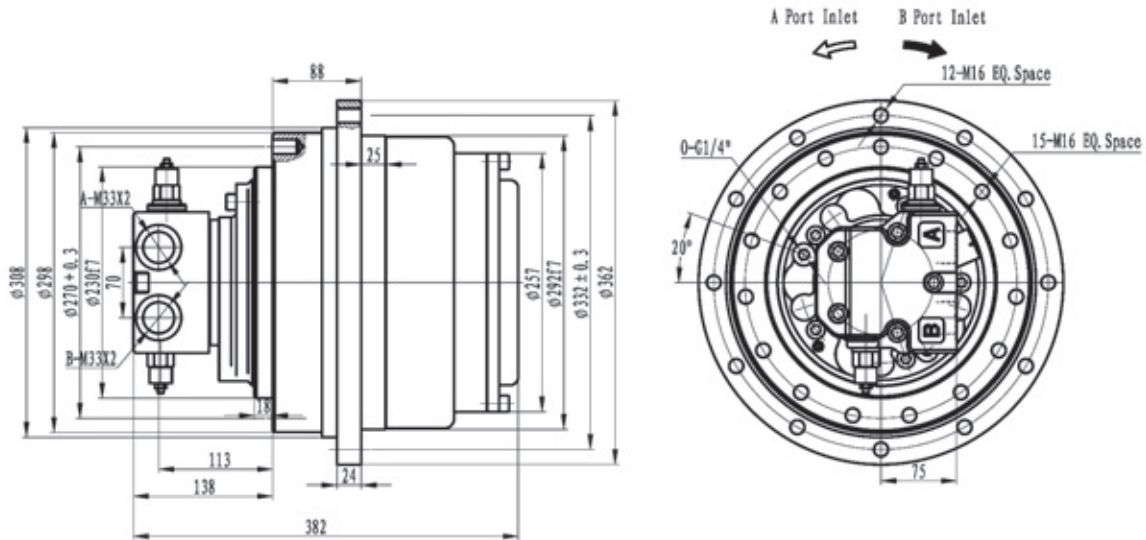


Dimensions



Specification

Model	Torque (N · m)		Speed (rpm)	Ratio	Pressure (MPa)		Total Dis. (ml/r)	Hydraulic Motor		Weight (Kg)	Application (ton)
	Rated	Max.			Rated	Max.		Model	Dis. (ml/r)		
IKY2.53A-3600D240201Z	10000	12500	0.3-36	19	21	26	3629	INW05-200D240201	191	110	8~10
IKY2.53A-3200D240201Z	8700	10900	0.3-40	19	21	26	3154	INW05-170D240201	166	110	8~10
IKY2.53A-2900D240201Z	8500	10600	0.3-45	19	23	29	2869	INW05-150D240201	151	110	6~8
IKY2.53A-2500D240201Z	7260	9080	0.3-50	19	23	29	2451	INW05-130D240201	129	110	6~8
IKY2.53A-2200D240201Z	6470	8100	0.3-55	19	23	29	2185	INW05-110D240201	115	110	6~8

Hydraulic Diagram

